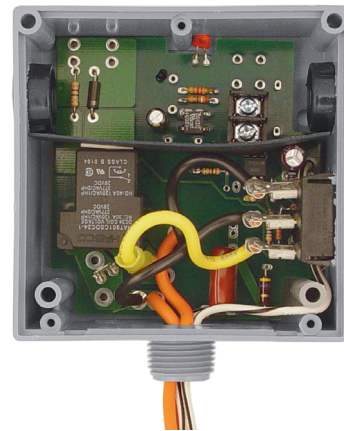
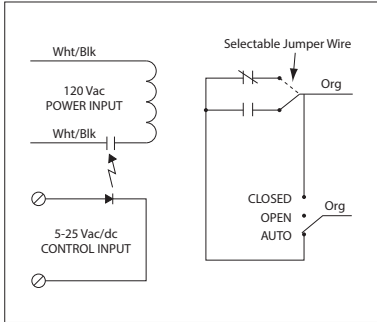


LOW COIL INPUT RELAY

RIBTE01SB

Enclosed Relay Hi/Low Separation 20 Amp SPST
+ Override, 120 Vac Power Input + 5-25 Vac/dc
Control Input



RELAYS

SPECIFICATIONS

Power Input: 120 Vac, 50-60 Hz
Control Input: 5-25 Vac/dc, 50-60 Hz
Relays & Contact Type: One (1) SPST Continuous Duty Coil
Expected Relay Life: 10 million cycles minimum mechanical
Operating Temperature: -30 to 140° F
Humidity Range: 5 to 95% (noncondensing)
Operate Time: 18ms
Relay Status: LED On = Activated
Dimensions: 4.00" x 4.00" x 1.80" with .50" NPT Nipple
Wires: 16", 600V Rated
Approvals: UL Listed, UL916, UL864, C-UL California State Fire Marshal
Housing Rating: UL Accepted for Use in Plenum, NEMA 1
Gold Flash: No
Override Switch: Yes

Contact Ratings:
 20 Amp Resistive @ 277 Vac
 1110 VA Pilot Duty @ 277 Vac
 770 VA Pilot Duty @ 120 Vac
 20 Amp Ballast @ 277 Vac (N/O)
 10 Amp Ballast @ 277 Vac (N/C)
Not rated for Electronic Ballast
 10 Amp Tungsten @ 120 Vac (N/O)
 240 Watt Tungsten @ 120 Vac (N/C)
 2 HP @ 277 Vac
 1 HP @ 120 Vac

Control Input Ratings:
 .4 mA @ 5 Vdc
 .9 mA @ 10 Vdc
 1 mA @ 12 Vdc
 2 mA @ 24 Vdc
 3 mA @ 24 Vac
 (Non Polarized)

Power Input Ratings:
 47 mA @ 120 Vac

Notes:
 • Normally Open or Normally Closed selected by yellow jumper wire